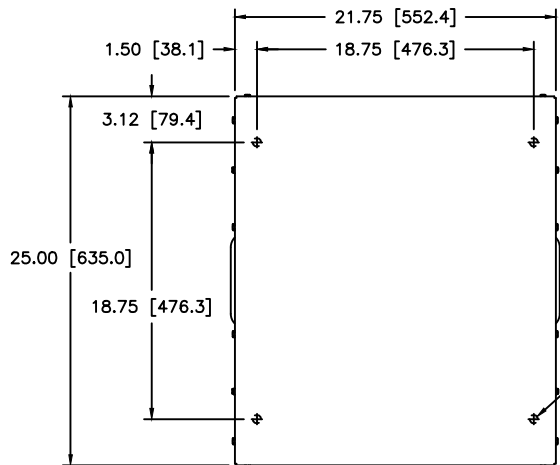
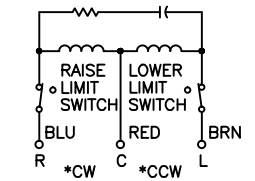


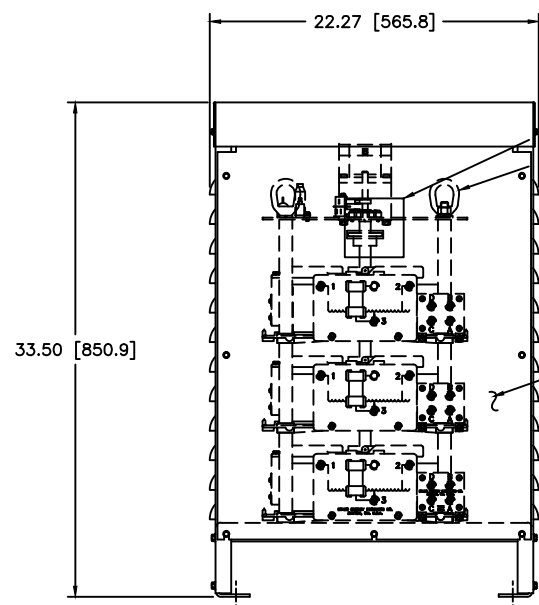
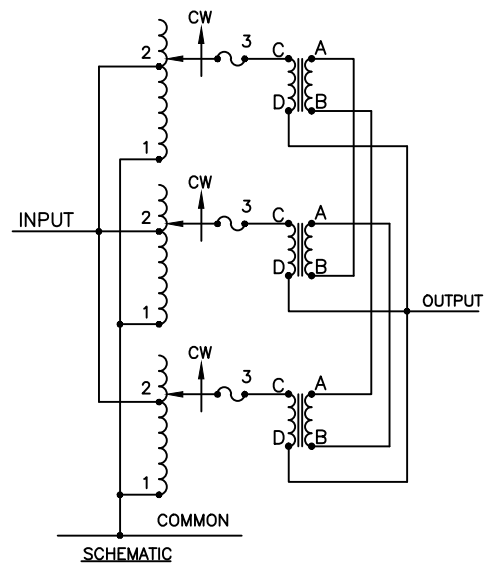
REV. NO.	031-6290		
REV.	DATE	REVISIONS	
A	24/05/11	10/8/02	NEW MOTOR



.56 [14.3] DIA. HOLE
4 PLACES ON BOTTOM
FLANGES FOR CUSTOMER
MOUNTING



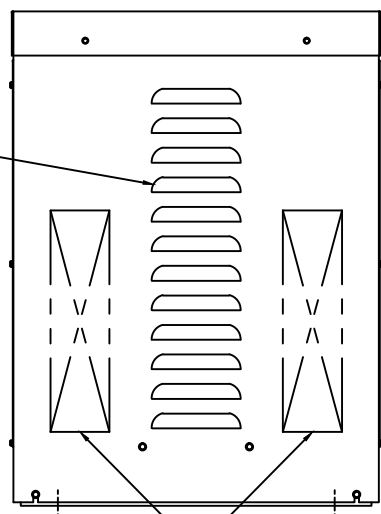
MOTOR CIRCUIT
120V, 50/60 HZ
* ROTATION AS VIEWED
FROM TOP END
MOTOR SPEEDS: SEE CHART



NAMEPLATE
2 EYENUTS
FOR CONVEYING

LOUVER VENTS
BOTH SIDES

ACCESS PANEL TO
FUSES & TERMINALS



RECOMMENDED AREAS
FOR CONDUIT ENTRY

SPEED (SECONDS)	MODEL NUMBER
5	5M5011E-3P
15	15M5011E-3P
30	30M5011E-3P
60	60M5011E-3P

WIRING	INPUT		OUTPUT		SHAFT ROTATION FOR VOLTAGE INCREASE	TERMINAL CONNECTIONS FOR INCREASING VOLTAGE AS VIEWED FROM TOP		
	VOLTS	HERTZ	VOLTS	CONSTANT CURRENT LOAD		INPUT	OUTPUT	
				MAX. AMPS				MAX. KVA
SINGLE PHASE PARALLEL	120	50/60	0-140	150	21.0	CW	1-2	1-D

MAKING CHANGES SPECIFIED, THEREBY IS A WARRANTY OF THE MANUFACTURER. THE MANUFACTURER SHALL NOT BE RESPONSIBLE FOR ANY DAMAGE TO PROPERTY OR PERSONS ARISING FROM THE USE OF THIS PRODUCT. THE MANUFACTURER SHALL NOT BE RESPONSIBLE FOR ANY DAMAGE TO PROPERTY OR PERSONS ARISING FROM THE USE OF THIS PRODUCT. THE MANUFACTURER SHALL NOT BE RESPONSIBLE FOR ANY DAMAGE TO PROPERTY OR PERSONS ARISING FROM THE USE OF THIS PRODUCT.

SPEC. CONTROL DRAWING
MOTORIZED VARIABLE XFMR.
TYPE: M5011E-3P

STAGG ENERGY PRODUCTS CO.
A Corporation of America
300 South Broadway, Dayton, Ohio 45401-1001

DATE: 5/19/97
DRAWN BY: TIM RAU
CHECKED BY: []
SCALE: 25=1
SHEET: 1 OF 1

REV. NO. D 031-6290