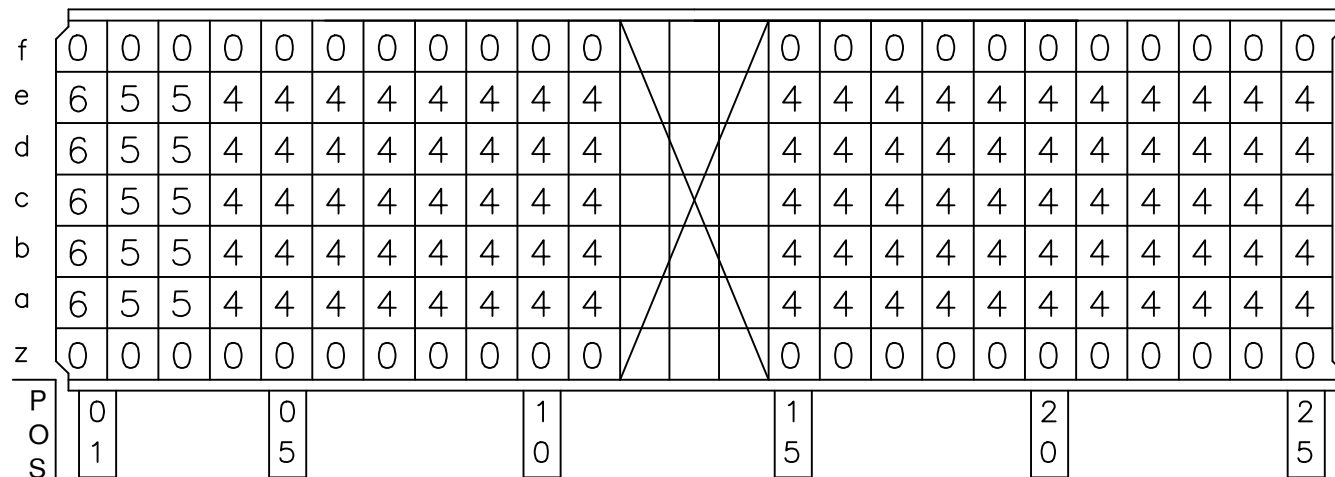
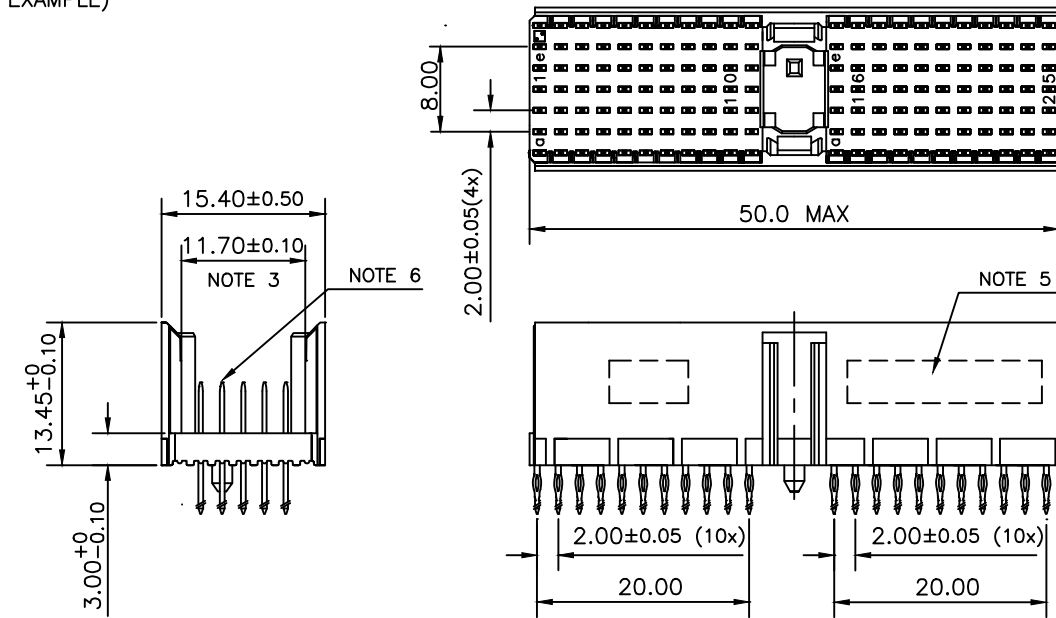


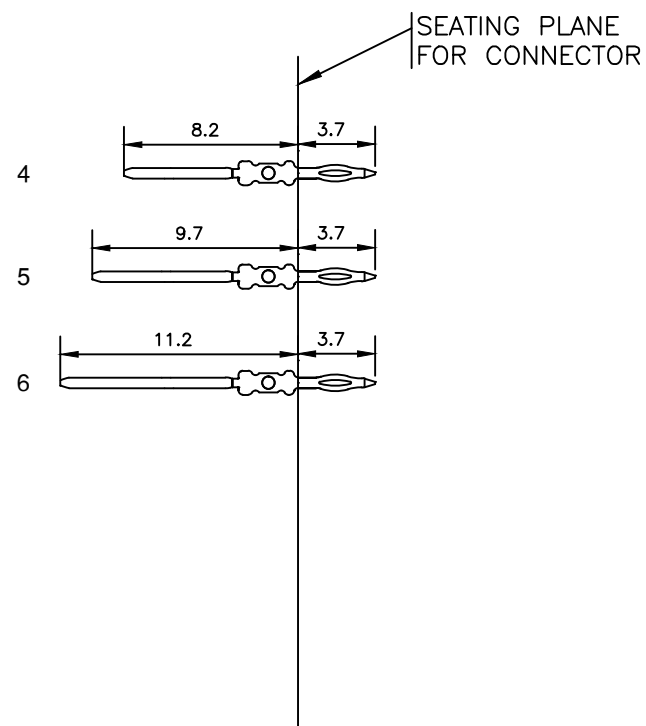
LOADING PATTERN MATING SIDE



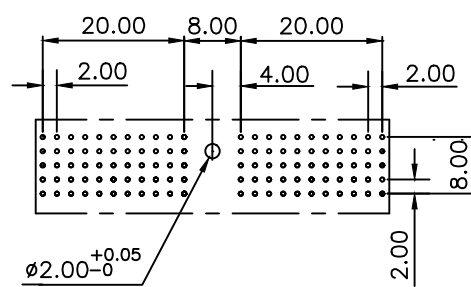
LOADED CONNECTOR ASSEMBLY (FOR EXAMPLE)



CONTACT OVERVIEW



LAY-OUT P.C.B.-HOLE



HM2P07PDP3G0-
LEAD FREE INDICATOR : LF = LEAD FREE (DIGIT 15 & 16)

PLATING CODE (DIGIT 13 AND 14)
(REF DRW NO. BS,C , 201844 , 003)

NOTES

1. THIS PRODUCT IS CSA APPROVED.
2. THIS PRODUCT IS UL RECOGNIZED.
3. MEASURED AT THE BOTTOM.
4. MATERIAL CONTACT: PHOSPHORBRONZE
HOUSING: CREAM WHITE GLASS FILLED POLYESTER UL-94V0
5. CONNECTOR PRINTED WITH P/N AND DATE CODE.
6. FOR ACTUAL CONTACT LOADINGS, SEE LOADING PATTERN MATING SIDE.
7. SHAPE OF CONNECTOR HOUSING CAN ALTER DEPENDING ON PRODUCTION LOCATION
8. THIS PRODUCT MEETS EUROPEAN UNION DIRECTIVES AND OTHER COUNTRY REGULATIONS AS DESCRIBED IN GS-47-0004
9. FOR RECOMMENDED PTH DIMENSIONS REFER DRAWING : BS, A , 201572 , 001

CATALOG NO: HM2P07PDP3G0-

mat'l. code SEE NOTE 4		surface ISO 1302 ✓		tolerance ISO 406 ISO 1101		projection MM		product family MILLIPACS	
ltr	ecn no	dr	date	tolerances unless otherwise specified		title		sheet 1 of 1 size	
A	I12-0052	AKA	2012-09-20	.0±0.2 .00±0.1		MPACS 5+2R STR HDR PF CONN TYPE A		A3	
				angles	linear	scale			
				0°±1°					
		dr	ARJUN	2012-09-20		FCJ		dwg no	
		enr	ARJUN	2012-09-20				sheet 1 of 1	
		chr	ALEX BABU	2012-09-20				BS, C , 203028, 988	
		appd	BIJU K PAUL	2012-09-20				type Product Customer Drawing	
sheet index	revision sheet	A	1						



FCIconnect.com

Copyright FCI

form: A3