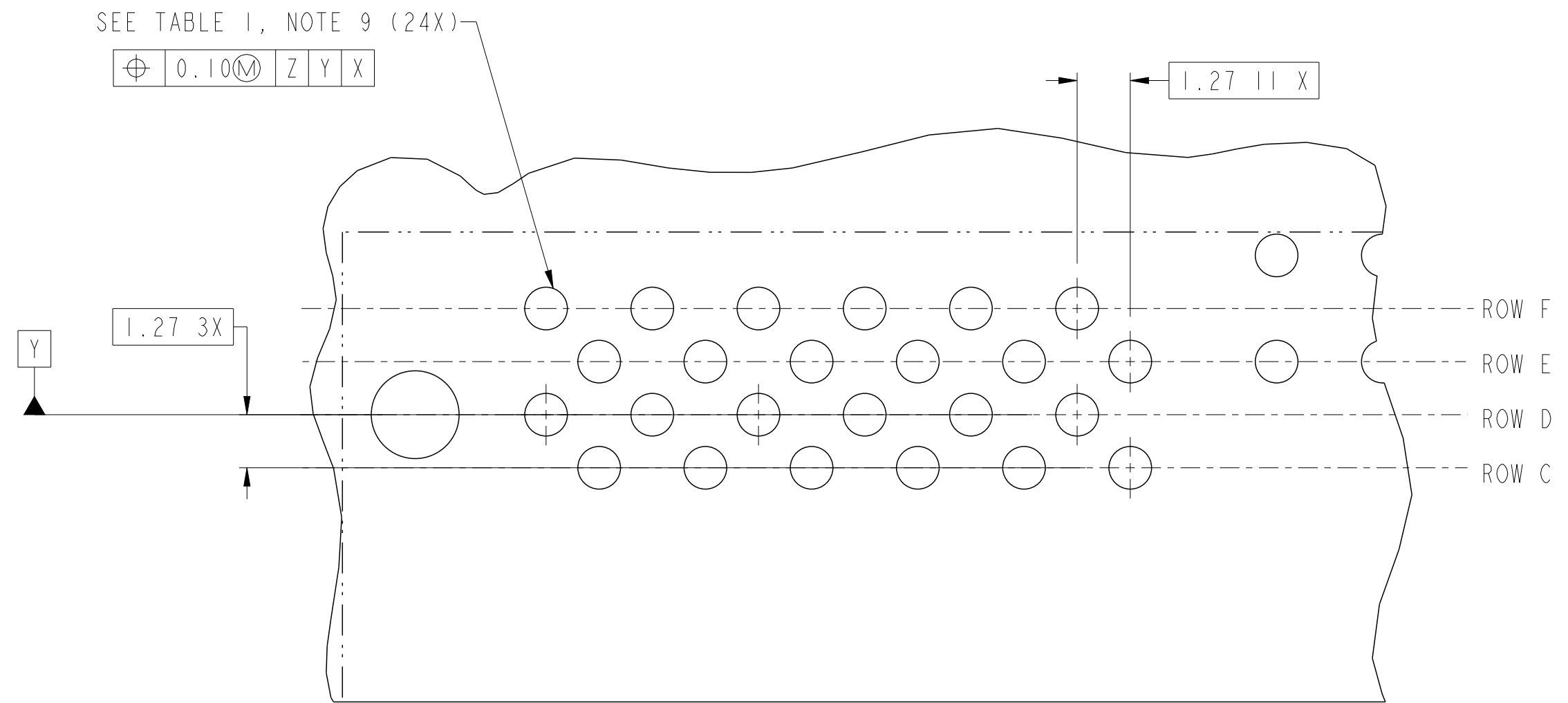
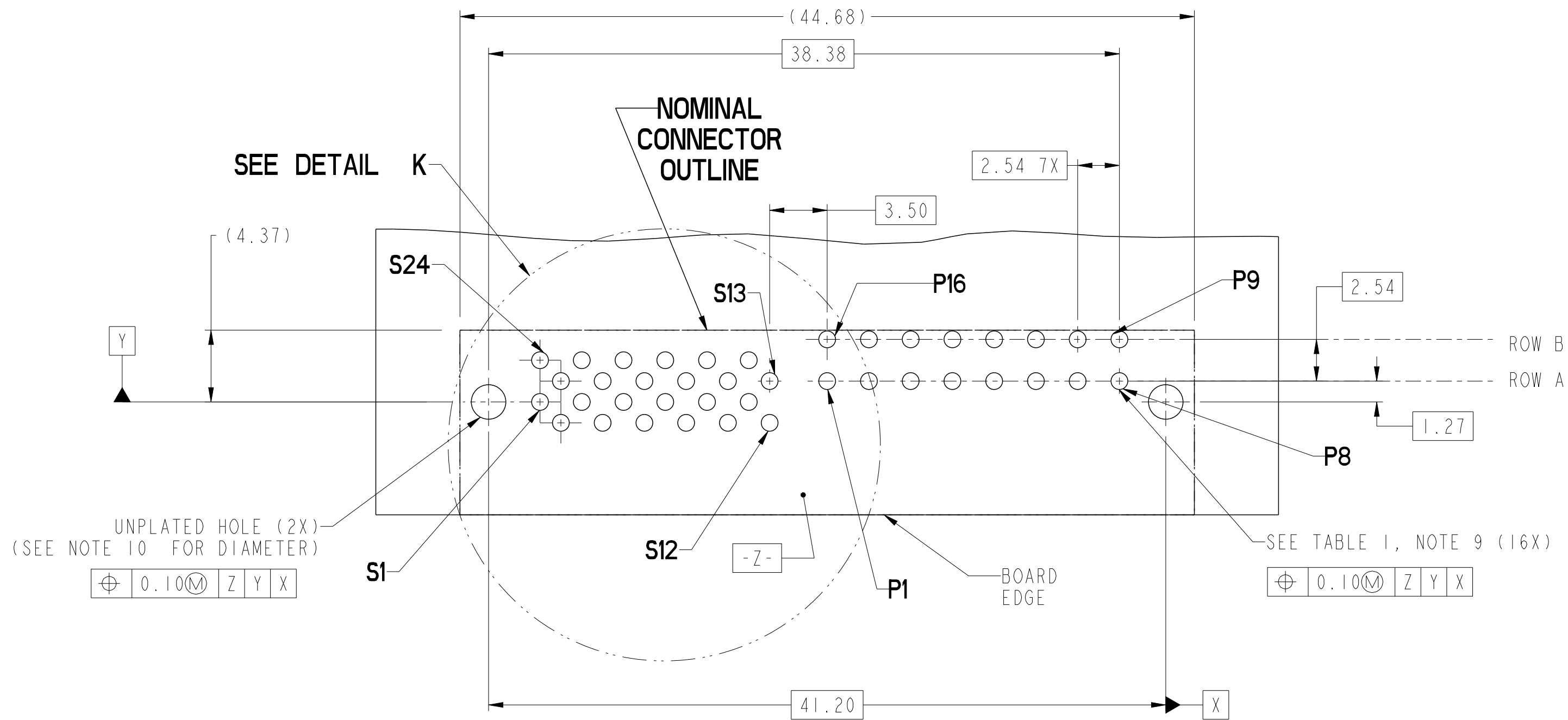
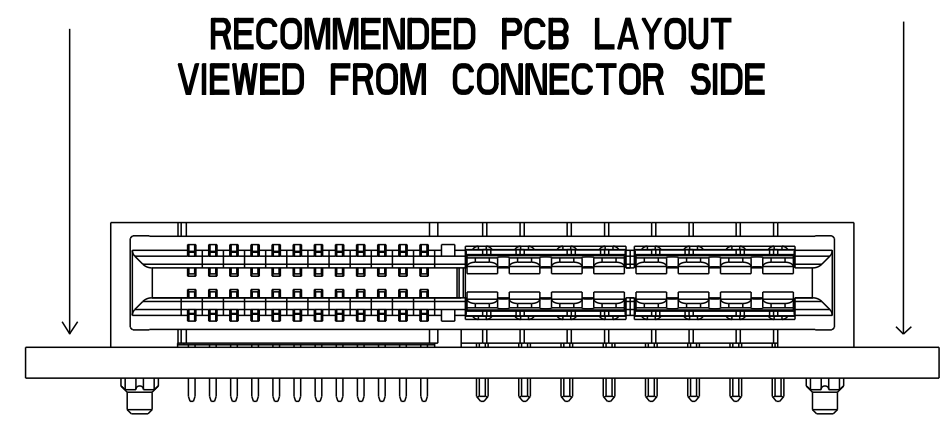


rev	ecn no	dr	date	spec ref	tolerance std	dr	2011/08/08	projection	MM	size	A2	scale	4:1	
A	---	WL	2011-09-06			eng	2011/09/26			ecn no	-	rel level	Released	
-	-	-	-			chr	2011/09/26							
-	-	-	-			appr	2011/09/26	product family	-	rel level	-	-	-	
				surface	<input checked="" type="checkbox"/> linear <input type="checkbox"/> angular	FCI www.fci.com		TITLE RIGHT ANGLE 24S16P HIGH POWER CARD EDGE		dwg no	10118868		rev	A
						cat. no.		-		Product - Customer Drw		sheet 1 of 4		

Copyright FCI. FCI



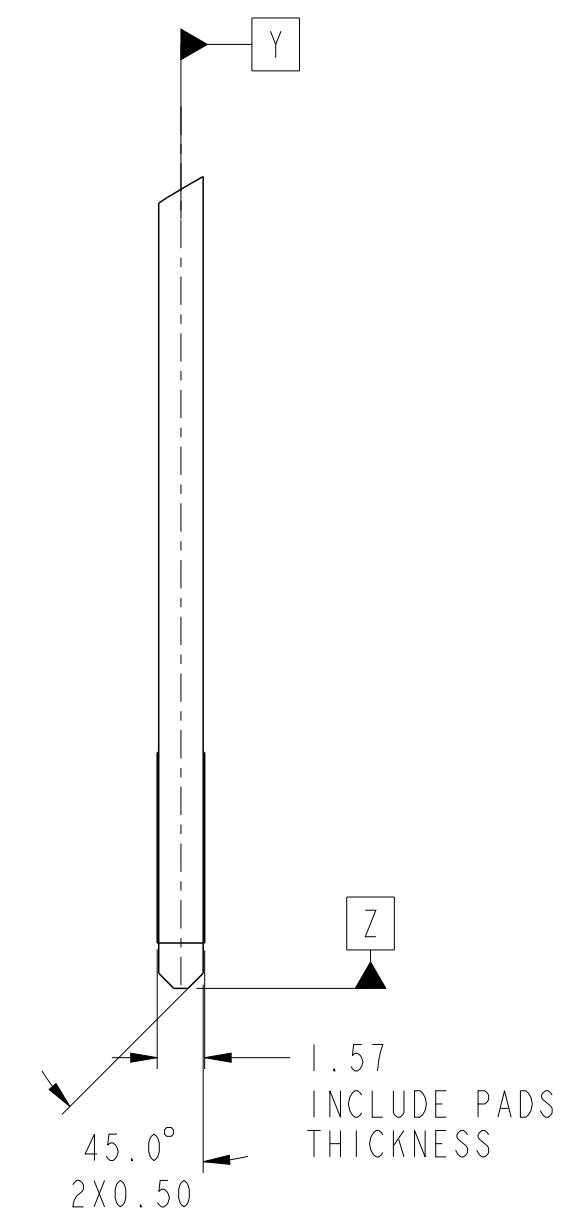
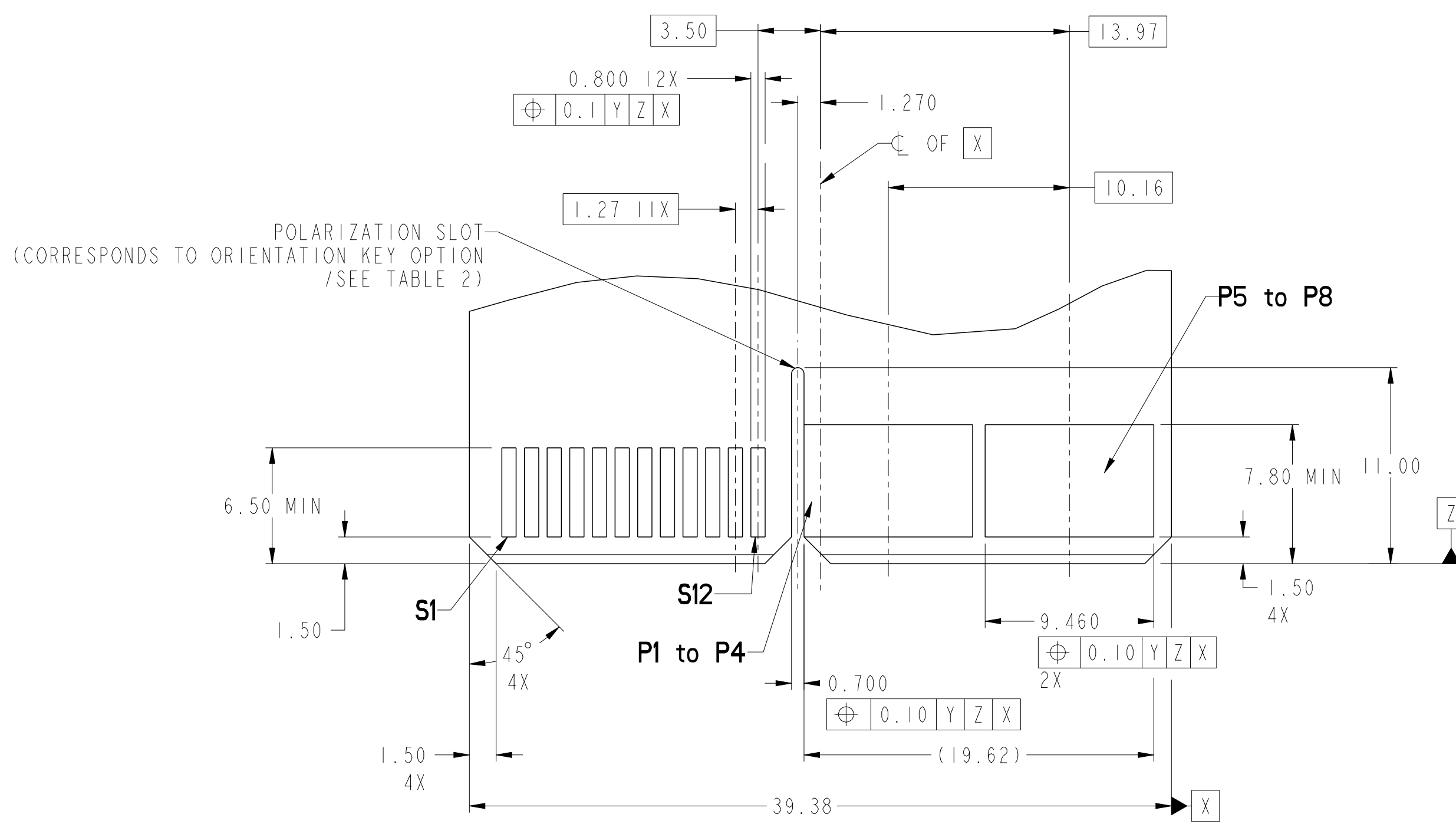
DETAIL K
SCALE 8:1



SCALE 11:5

dr	Wei-Long Zhang	2011/08/08	projection	MM	size	A2	scale	4:1
eng	Wei-Long Zhang	2011/09/26			ecn no	-	rel level	Released
chr	Jon Qin	2011/09/26						
appr	Pei-Ming Zheng	2011/09/26	product family	-	rel level	-	rel level	Released
			TITLE RIGHT ANGLE 24SI6P HIGH POWER CARD EDGE			dwg no 10118868		rev A
www.fci.com			cat. no.			Product - Customer Drw		

CONTACT TYPE	TOP LAYER DESCRIPTION	TABLE 1 (HPCE / SOLDER TAILS) PLATED THROUGH-HOLE REQUIREMENTS				
		DRILLED HOLE DIAMETER	COPPER THICKNESS	TIN-LEAD THICKNESS	TIN THICKNESS	FINISHED HOLE DIAMETER
POWER & SIGNAL	TIN-LEAD	1.10-1.16 (1.15 DRILL)	0.025 - 0.050	0.005 - 0.015	--	0.94 - 1.10
	IMMERSION TIN	1.10-1.16 (1.15 DRILL)	0.025 - 0.050	--	0.9 - 1.5um	0.94 - 1.10
	COPPER (SEE NOTE 8)	1.10-1.16 (1.15 DRILL)	0.025 - 0.050	--	--	0.94 - 1.10

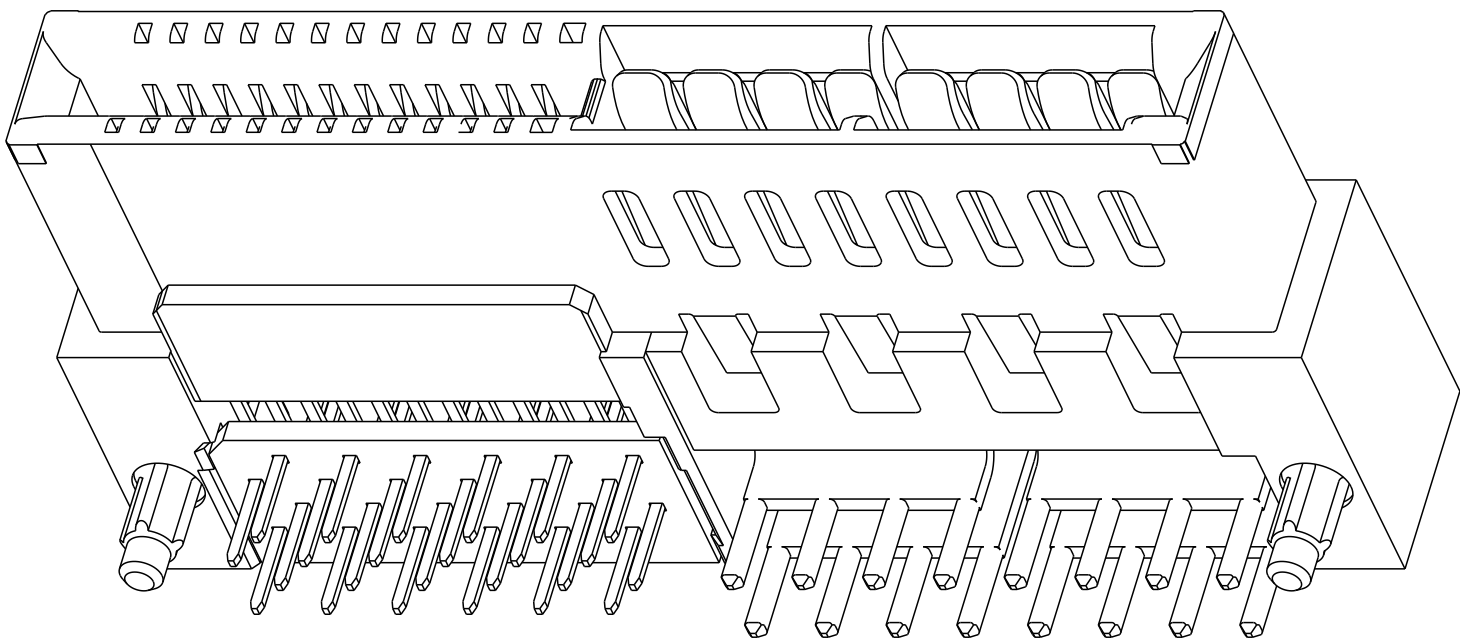


RECOMMENDED MATING BOARD FOOTPRINT

dr	Wei-Long Zhang	2011/08/08	projection	MM	size	A2	scale	4:1
eng	Wei-Long Zhang	2011/09/26			ecn no	-	rel level	Released
chr	Jon Qin	2011/09/26			product family	-		
appr	Pei-Ming Zheng	2011/09/26			cat. no.	-	Product - Customer Drw	sheet 3 of 4
FCI www.fci.com			title RIGHT ANGLE 24S16P HIGH POWER CARD EDGE			dwg no 10118868		rev A

Copyright FCI. FCI

HPCE PART NUMBER (TABLE 2)				
10118868	TAIL TYPE	HOLD-DOWN OPTION	ORIENTATION KEY	DIM "A" TYPICAL TAIL LENGTH
10118868-001LF	SOLDER TAIL	NO	YES	3.25±0.50
10118868-002LF			NO	
10118868-003LF		YES	YES	
10118868-004LF			NO	



NOTES:

1. CONNECTOR MATERIALS:
 - HOUSING: HIGH TEMPERATURE THERMAL PLASTIC, BLACK
UL 94V-0 COMPLIANT
 - CONTACTS: HIGH PERFORMANCE COPPER ALLOY.
2. CONTACT FINISH REF. GS-12-604 SECTION 5.2.
3. PRODUCT SPECIFICATION: GS-12-604.
4. APPLICATION SPECIFICATION: GS-20-128.
5. PRODUCT MARKING (FCI - PART NUMBER & DATE CODE) ON HOUSING IN AREA SHOWN.
6. PACKAGING MEETS FCI SPECIFICATION GS-14-937.
7. HOUSING COMPONENT WILL WITHSTAND EXPOSURE TO 260°C PEAK TEMPERATURE FOR 60 SECONDS IN A CONVECTION, INFRA-RED, OR VAPOR PHASE REFLOW OVEN.
8. COPPER PLATING THICKNESS IN CENTER OF VIA-HOLE CAN BE NO MORE THAN 0.003 LESS THAN OTHER AREAS.
9. ALL HOLE SIZES ARE FINISHED HOLE SIZES.
10. MOUNTING HOLES ARE UNPLATED
Ø 2.10 +/- 0.1 FOR SOLDER TAILS

dr	Wei-Long Zhang	2011/08/08		MM	size	A2	scale	4:1
eng	Wei-Long Zhang	2011/09/26			ecn no	-		
chr	Jon Qin	2011/09/26			rel level	Released		
appr	Pei-Ming Zheng	2011/09/26			product family	-		
		TITLE RIGHT ANGLE 24S16P HIGH POWER CARD EDGE		dwg no 10118868	rev A			
www.fci.com		cat. no.	-	Product - Customer Drw	sheet 4 of 4			

Copyright FCI. FCI