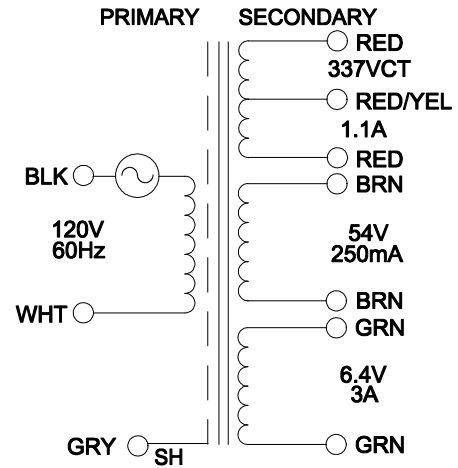
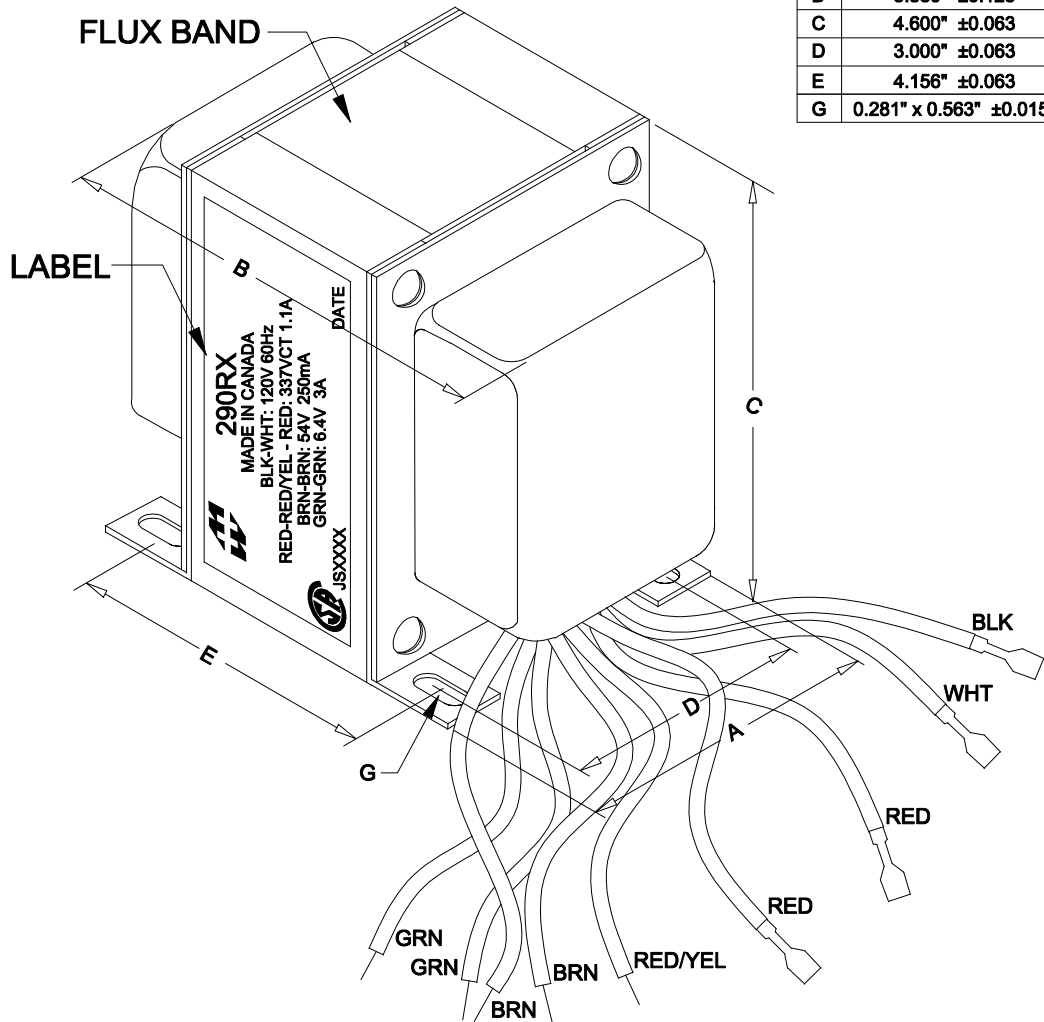


DIMENSIONS:	
A	3.756" ±0.063
B	5.580" ±0.125
C	4.600" ±0.063
D	3.000" ±0.063
E	4.156" ±0.063
G	0.281" x 0.563" ±0.015



NOTE: ALL LEADS 9" OUT MIN., STRIPPED .5"

ELECTRICAL DATA:		
TESTS	CONDITIONS	ACCEPTANCE CRITERIA
Iex	@ 120V, 60Hz, BLK - WHT	304mA Max.
Sec. N.L.V	@ 120V, 60Hz, BLK - WHT	
	RED - RED =	350.8V ±2%
	RED - RED/YEL = RED/YEL - RED =	175.4V ±2%
	BRN - BRN =	56.22V ±2%
	GRN - GRN =	6.713V ±2%
DCR	@ 20°C, BLK - WHT =	0.510 Ω ±20%
	@ 20°C, RED - RED =	5.865 Ω ±20%
	@ 20°C, BRN - BRN =	3.760 Ω ±20%
	@ 20°C, GRN - GRN =	0.040 Ω ±20%
HIPOT	PRIMARY - SECONDARY	2000V, 60Hz, 1 SEC

REV.#	REVISION	DATE
0	RELEASED.	07/25/11

<b>HAMMOND MANUFACTURING™</b>	<b>ELECTRONIC DIVISION</b> 52 RANKIN PLACE, WATERLOO, ONTARIO, N2J 3Z5		PH # (519) 886-6181 FAX # (519) 886-9540
	DWG. BY: C. ILIE DATE: 07/25/11	CHK'D BY: APP'D. BY: DIMENSIONS: IN(X) MM( )	TITLE: 290RX TRANSFORMER