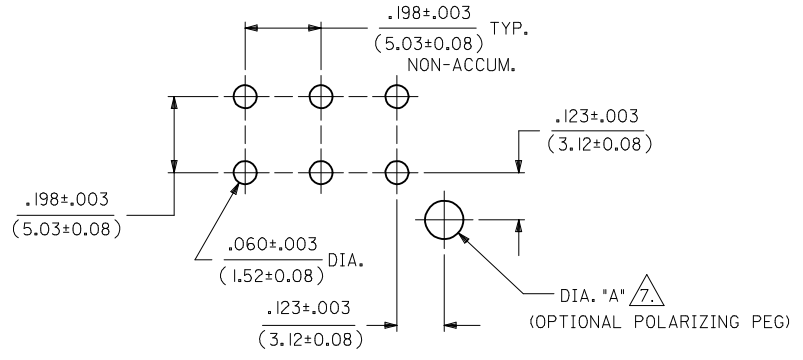
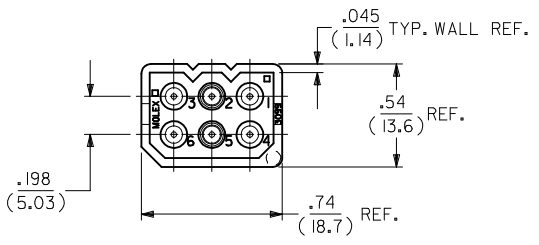
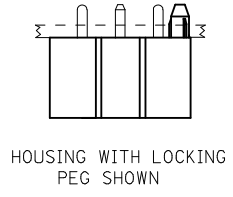
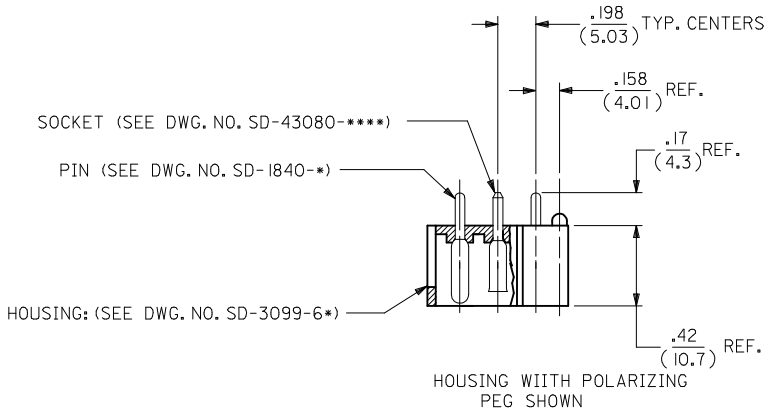


ORDER NO.	ENG. NUMBER	TERMINAL LOCATION (SEE CHART)	MAT'L	PEG TYPE	PLATING (SEE CHART)	DIA "A"
10-18-1061	A-3099-P6A	A	V-0	POLARIZING	B	.100±.005 (2.54±0.13)
10-18-1063	A-3099-P6B	B	V-0	POLARIZING	B	
38-00-0589	A-3099-P6C	C	V-0	POLARIZING	B	
38-00-0590	A-3099-P6D	D	V-0	POLARIZING	B	
10-18-1064	A-3099-0605	E	V-0	POLARIZING	B	
10-18-1065	A-3099-0607	F	V-0	POLARIZING	B	
				LOCKING	B	.103 +.003/-.002 (2.62 + 0.08/-0.05)

TERMINAL LOCATION CODE	CIRCUIT LOCATION					
	1	2	3	4	5	6
A	M	M	M	M	M	M
B	M	F	M	M	F	M
C	F	M	M	M	F	M
D	M	M	M	F	M	M
E	M	M	M	M	M	F
F	F	M	M	M	M	M

PLATING CODE	PLATING
A	UNPLATED
B	PINS ONLY: OVERALL TIN: .000200/(0.00508) MIN. OVER COPPER: .000100/(0.00254) MIN.
	SOCKETS ONLY: OVERALL TIN: .000050/(0.00127) MIN. OVER NICKEL: .000050/(0.00127) MIN.



- MATERIAL:  
HOUSING: UNFILLED POLYESTER, 94V-0, COLOR-BLACK  
PIN TERMINAL: CARTRIDGE BRASS  
SOCKET TERMINAL: PHOSPHOR BRONZE
- FINISH: SEE TABLE
- PRODUCT SPECIFICATION: N/A
- PACKAGING SPECIFICATION: PK-3099-002
- MATES WITH MOLEX 1490 RECEPTACLES AND .093/(2.36) SERIES TERMINALS
- ASSEMBLIES TO BE MOUNTED ON SUPPORTED EDGE OF P.C. BOARD
- ONLY REQUIRED WHEN USING PARTS WITH OPTIONAL POLARIZING OR LOCKING PEGS

**RECOMMENDED PC BOARD HOLE LAYOUT**  
(SCALE 4:1)

<b>ADD PKG SPECS</b> EC NO: UCP2013-4695 DRW:NAELHAG 2013/04/30 CHKD: APPR:FSMITH 2013/05/13 REV: M2	QUALITY SYMBOLS	GENERAL TOLERANCES (UNLESS SPECIFIED) <table border="1"> <tr> <th></th> <th>mm</th> <th>INCH</th> </tr> <tr> <td>4 PLACES ±</td> <td>---</td> <td>---</td> </tr> <tr> <td>3 PLACES ±</td> <td>---</td> <td>±.010</td> </tr> <tr> <td>2 PLACES ±</td> <td>0.25</td> <td>±.014</td> </tr> <tr> <td>1 PLACE ±</td> <td>0.36</td> <td>---</td> </tr> </table>		mm	INCH	4 PLACES ±	---	---	3 PLACES ±	---	±.010	2 PLACES ±	0.25	±.014	1 PLACE ±	0.36	---	DIMENSION STYLE	SCALE	DESIGN UNITS	THIRD ANGLE PROJECTION
			mm	INCH																	
	4 PLACES ±	---	---																		
	3 PLACES ±	---	±.010																		
2 PLACES ±	0.25	±.014																			
1 PLACE ±	0.36	---																			
	IN/MM	2:1	INCH																		
	DRAWN BY: KBW DATE: 1989/05/25 CHECKED BY: RW DATE: 1989/05/25 APPROVED BY: RAS DATE: 1989/05/25		TITLE: <b>CONNECTOR ASSEMBLY ENCLOSED WAFER 6 CIRCUIT</b>																		
	MATERIAL NO. SEE CHART DRAFT WHERE APPLICABLE MUST REMAIN WITHIN DIMENSIONS		MOLEX INCORPORATED DOCUMENT NO. SDA-3099-*6**		SHEET NO. 1 OF 1																