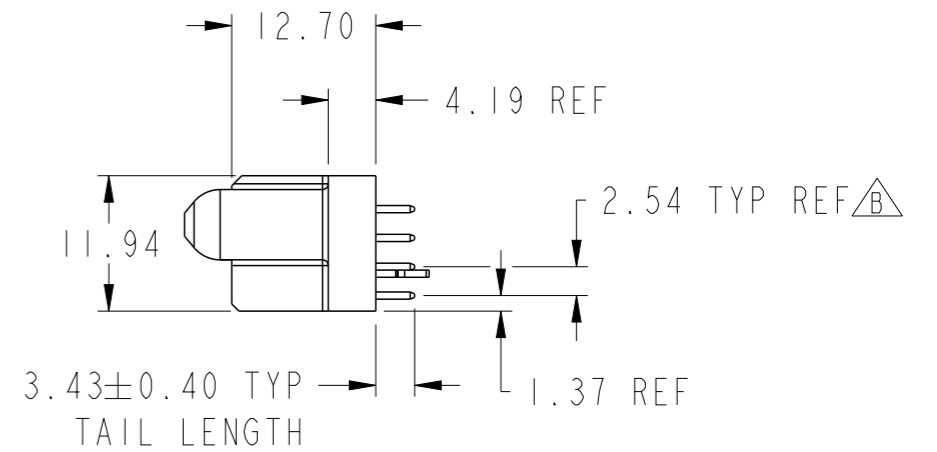
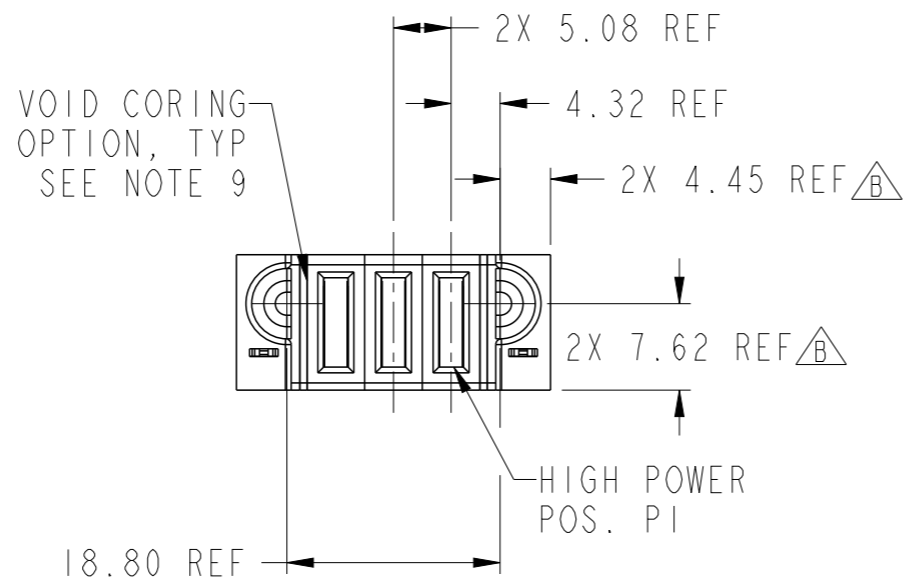
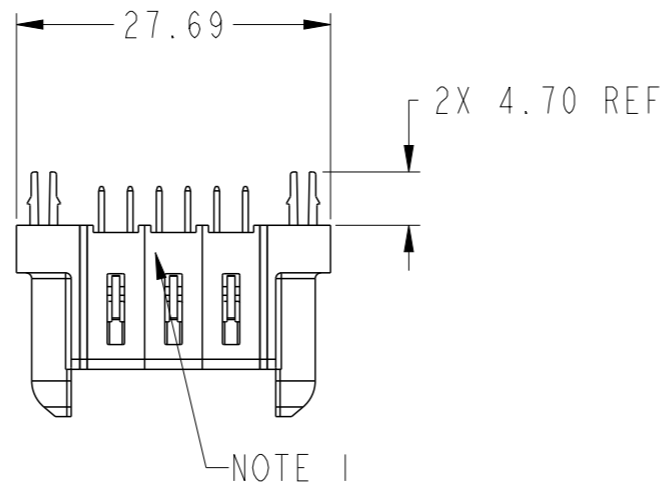
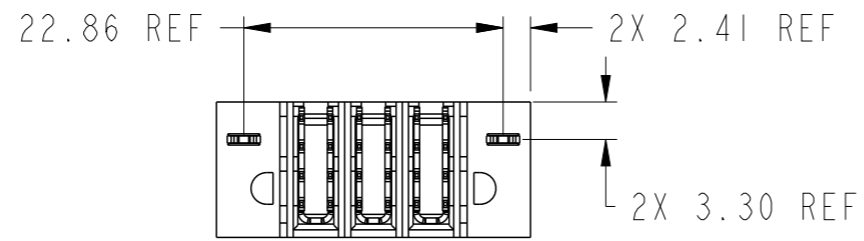


PRODUCT NUMBER SEE SHEET 2



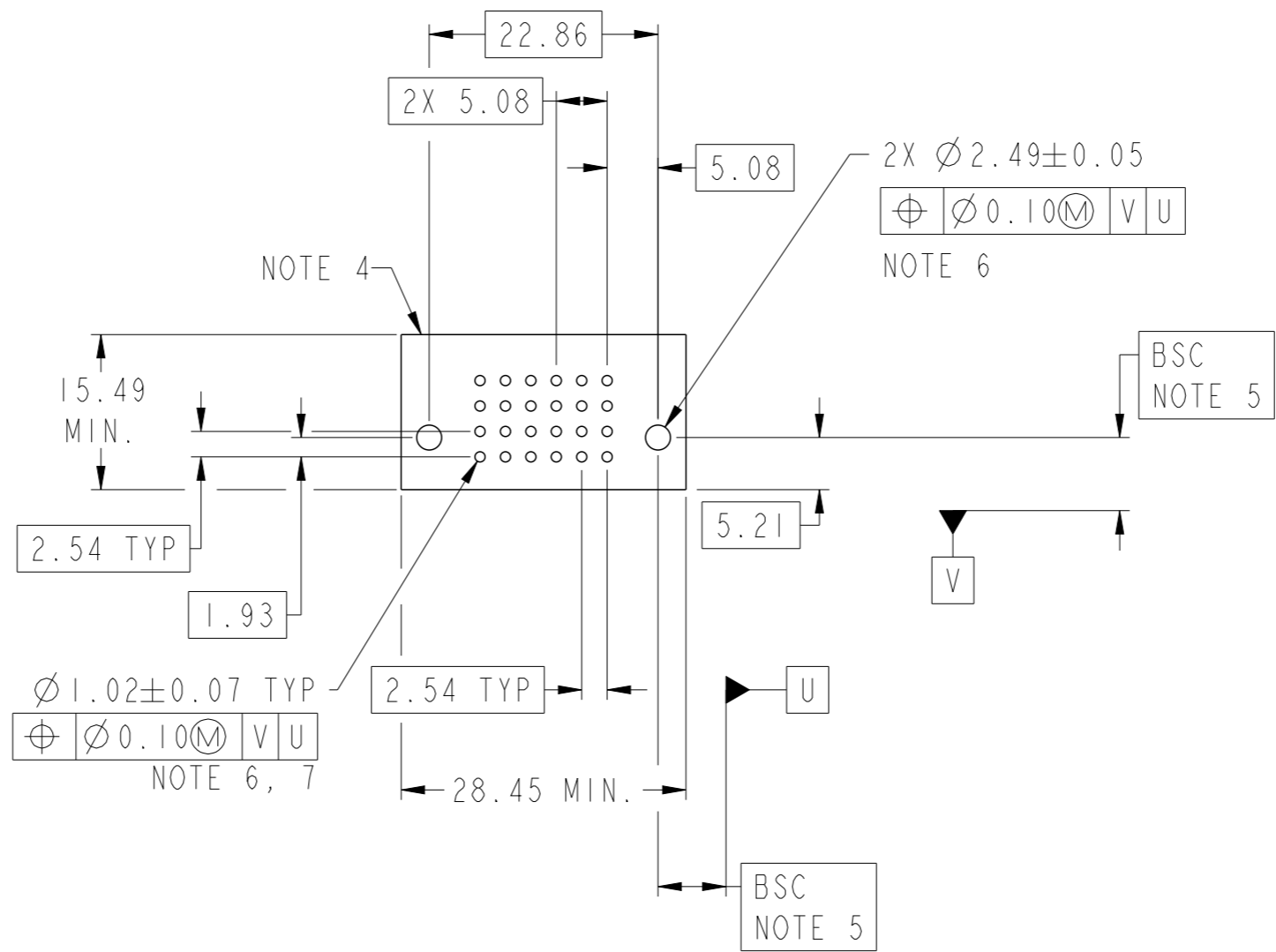
spec ref		dr	Peng-Bing Fu	2012/07/29	projection	MM	size	A3	scale	3:2
tolerance std ASME Y14.5		TOLERANCES UNLESS OTHERWISE SPECIFIED			eng	Peng-Bing Fu	2012/11/13	ecn no	ELX-DG-013146-1	
		chr	Tian-Xu Huang	2012/11/13	product family		PowerBlade+	rel level		
		appr	Pei-Ming Zheng	2012/11/13				Released		
surface	linear	0.X	±0.50		www.fci.com	cat. no.	Product - Customer Drw	sheet 1 of 3	rev	B
		0.XX	±0.25							
ASME Y14.5	angular	0°	±2°							



Copyright FCI.

PRODUCT NO.	ROWS	HP				
		E1	P3	P2	P1	E2
10106138-3000001LF	D C B A		H3	H3	H3	

CODE	DESCRIPTION
H3	STD HIGH POWER CONTACT (3.43)
HA	METAL HOLD DOWN



Copyright FCI.

dr	Peng-Bing Fu	2012/07/29	projection	MM	size	A3	scale	3:2	
eng	Peng-Bing Fu	2012/11/13		← →	ecn no	ELX-DG-013146-1	rel level	Released	
chr	Tian-Xu Huang	2012/11/13							
appr	Pei-Ming Zheng	2012/11/13	product family	PowerBlade+					
		title	3HDP VT STB RECEPTACLE		dwg no	10106138-3000001		rev	B
www.fci.com		cat. no.	Product - Customer Drw		sheet 2 of 3				

A

B

C

D


A

B

C

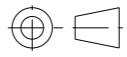
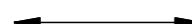

D

NOTES:

- 1) "FCI", PART NUMBER AND DATE CODE TO BE MARKED ON THIS SURFACE.  
THE MARK CAN BE OMITTED IF THERE IS NOT ENOUGH SPACE ON THIS SURFACE.
- 2) MATERIALS:  
-HOUSING - GLASS FILLED WITH HIGH TEMP THERMOPLASTIC, UL94V-0.  
-SIGNAL CONTACT - COPPER ALLOY.  
-POWER CONTACT - HIGH CONDUCTIVITY COPPER ALLOY.
- 3) PLATING SPECIFICATION REFER TO FCI 10116351
- 4) DENOTES CONNECTOR KEEP OUT ZONE.
- 5) DATUM AND BASIC DIMENIONS WERE ESTABLISHED BY CUSTOMER.
- 6) ALL HOLE DIAMETERS ARE FINISHED HOLE SIZES.
- 7) 1.15 ± 0.025MM DRILLED HOLE PLATED WITH 0.00762MM MIN Sn  
OVER 0.0254-0.0762MM Cu PLATING TO ACHIEVE A 1.02 ± 0.07MM HOLE.
- 8) PRODUCT SPECIFICATION REFER TO FCI GS-12-658.  
APPLICATION SPECIFICATION REFER TO FCI GS-20-141.  
PRODUCT PACKAGED IN TRAYS, REFER TO FCI GS-14-1502.
- 9) THE VOID CORING IN BETWEEN POWER MODULES, SIGNAL  
MODULES AND END MODULES ARE OPTIONAL AND THE SHAPE  
MAY BE DIFFERENT FOR OPTIMIZE THE MOLDING PROCESS. THE  
VOID CORING WILL NOT EFFECT TO PRODUCT FUNCTION.
- 10) A  SYMBOL WILL BE NEXT TO ANY DIMENSION, VIEW, OR NOTE  
WHICH HAS BEEN MODIFIED WITH THE CURRENT DRAWING REVISION.



Copyright FCI.

dr	Peng-Bing Fu	2012/07/29	projection  MM 	size	A3	scale	1:1	
eng	Peng-Bing Fu	2012/11/13		ecn no	ELX-DG-013146-1			
chr	Tian-Xu Huang	2012/11/13		product family	PowerBlade+	rel level	Released	
appr	Pei-Ming Zheng	2012/11/13						
		title 3HDP VT STB RECEPTACLE	cat. no.	Product - Customer Drw	sheet 3 of 3	rev B	dwg no 10106138-3000001	